

Tsubaki

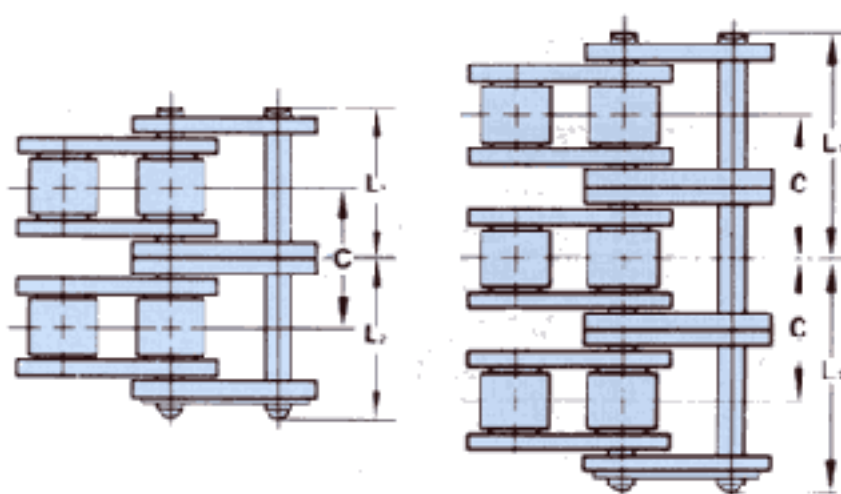
Cadenas de Rodillos Normas ASA en Múltiples Hileras

TSUBAKI Referencia	ANSI Nº	Paso P	Perno		Paso Transversal	Carga Media de Rotura	Peso Aprox.
			De Cabeza de Perno a centro L1	De Cabeza de perno a centro L2			
			C	KN (kgf)	kg/m		
Tipos Remachado y Desmontable							
<i>RS25-2</i>	25-2	6.35	7.0	8.0	6.4	9.41 (960)	0.27
<i>RS35-2</i>	35-2	9525	10.9	11.9	10.1	22.6 (2.300)	0.69
<i>RS35-3</i>	35-3	9525	16.0	16.9	10.1	33.8 (3.450)	1.05
<i>RS40-2</i>	40-2	12.70	15.45	17.15	14.4	38.2 (3.900)	1.27
<i>RS40-3</i>	40-3	12.70	22.65	24.15	14.4	57.4 (5.850)	1.90
<i>RS40-4</i>	40-4	12.70	29.9	31.3	14.4	76.5 (7.800)	2.53
<i>RS40-5</i>	40-5	12.70	37.1	39.6	14.4	95.6 (9.750)	3.16
<i>RS40-6</i>	40-6	12.70	44.3	45.8	14.4	115 (11.700)	3.79
<i>RS50-2</i>	50-2	15875	19.35	21.15	18.1	62.8 (6.400)	2.07
<i>RS50-3</i>	50-3	15875	28.4	30.2	18.1	94.1 (9.600)	3.09
<i>RS50-4</i>	50-4	15875	37.45	39.25	18.1	126 (12.800)	4.11
<i>RS50-5</i>	50-5	15875	46.5	48.3	18.1	157 (16.000)	5.14
<i>RS50-6</i>	50-6	15875	55.6	57.4	18.1	188 (19.200)	6.16
<i>RS60-2</i>	60-2	19.05	24.25	26.75	22.8	88.3 (9.000)	3.04
<i>RS60-3</i>	60-3	19.05	35.65	38.15	22.8	132 (13.500)	4.54
<i>RS60-4</i>	60-4	19.05	47.05	49.55	22.8	181 (18.000)	6.04
<i>RS60-5</i>	60-5	19.05	58.5	61.0	22.8	221 (22.500)	7.54
<i>RS60-6</i>	60-6	19.05	69.9	72.5	22.8	265 (27.000)	9.05
<i>RS80-2</i>	80-2	25.40	30.9	33.9	29.3	157 (16.000)	5.27
<i>RS80-3</i>	80-3	25.40	45.6	48.5	29.3	235 (24.000)	7.89
<i>RS80-4</i>	80-4	25.40	60.25	63.25	29.3	314 (32.000)	10.50
<i>RS80-5</i>	80-5	25.40	74.95	77.95	29.3	392 (40.000)	13.11
<i>RS80-6</i>	80-6	25.40	89.6	92.5	29.3	471 (48.000)	15.73
<i>RS100-2</i>	100-2	31.75	37.7	40.8	35.8	235 (24.000)	7.85
<i>RS100-3</i>	100-3	31.75	55.65	58.75	35.8	353 (36.000)	11.77
<i>RS100-4</i>	100-4	31.75	73.55	76.65	35.8	471 (48.000)	15.70
<i>RS100-5</i>	100-5	31.75	91.5	94.6	35.8	588 (60.000)	19.53
<i>RS100-6</i>	100-6	31.75	109.45	112.55	35.8	706 (72.000)	23.48
<i>RS120-2</i>	120-2	38.10	47.6	51.6	45.4	320 (32.600)	11.70
<i>RS120-3</i>	120-3	38.10	70.4	74.4	45.4	480 (48.900)	17.53
<i>RS120-4</i>	120-4	38.10	93.1	97.1	45.4	639 (65.200)	23.36
<i>RS120-5</i>	120-5	38.10	115.85	119.85	45.4	799 (81.500)	29.16
<i>RS120-6</i>	120-6	38.10	138.55	142.55	45.4	959 (97.800)	34.96
<i>RS140-2</i>	140-2	44.45	51.35	56.15	48.9	420 (42.800)	14.83
<i>RS140-3</i>	140-3	44.45	75.85	80.75	48.9	630 (64.200)	22.20
<i>RS140-4</i>	140-4	44.45	100.3	105.2	48.9	839 (85.600)	28.52
<i>RS140-5</i>	140-5	44.45	124.8	129.6	48.9	1050 (107.000)	36.97
<i>RS140-6</i>	140-6	44.45	149.3	154.2	48.9	1260 (128.400)	44.30
<i>RS160-2</i>	160-2	50.80	61.15	66.15	58.5	530 (54.000)	20.04
<i>RS160-3</i>	160-3	50.80	90.45	95.45	58.5	794 (81.000)	30.02
<i>RS160-4</i>	160-4	50.80	119.75	124.65	58.5	1060 (108.000)	40.06
<i>RS160-5</i>	160-5	50.80	149.05	153.95	58.5	1320 (135.000)	49.89
<i>RS160-6</i>	160-6	50.80	178.3	183.3	58.5	1590 (162.000)	59.93
<i>RS180-2</i>	180-2	57.15	68.75	75.35	65.8	716 (73.000)	26.52
<i>RS180-3</i>	180-3	57.15	101.7	108.5	65.8	1070 (109.500)	38.22

RS180-4	180-4	57.15	134.65	141.45	65.8	1430 (146.000)	50.90
RS180-5	180-5	57.15	167.6	174.4	65.8	1790 (182.500)	63.59
RS180-6	180-6	57.15	200.55	207.35	65.8	2150 (219.000)	76.27
RS200-2	200-2	63.50	74.85	80.65	71.6	922 (94.000)	32.63
RS200-3	200-3	63.50	110.75	116.45	71.6	1380 (141.000)	49.02
RS200-4	200-4	63.50	146.6	152.3	71.6	1840 (188.000)	65.16
RS200-5	200-5	63.50	182.4	188.2	71.6	2300 (235.000)	81.32
RS200-6	200-6	63.50	218.25	224.05	71.6	2770 (282.000)	97.59
RS240-2	240-2	76.20	91.9	99.4	87.8	1350 (138.000)	48.10
RS240-3	240-3	76.20	135.85	143.15	87.8	2030 (207.000)	71.60
RS240-4	240-4	76.20	179.8	187.3	87.8	2710 (276.000)	95.10
RS240-5	240-5	76.20	223.75	231.25	87.8	3380 (345.000)	118.60
RS240-6	240-6	76.20	267.7	275.1	87.8	4060 (414.000)	142.10

Dimensiones en mm.

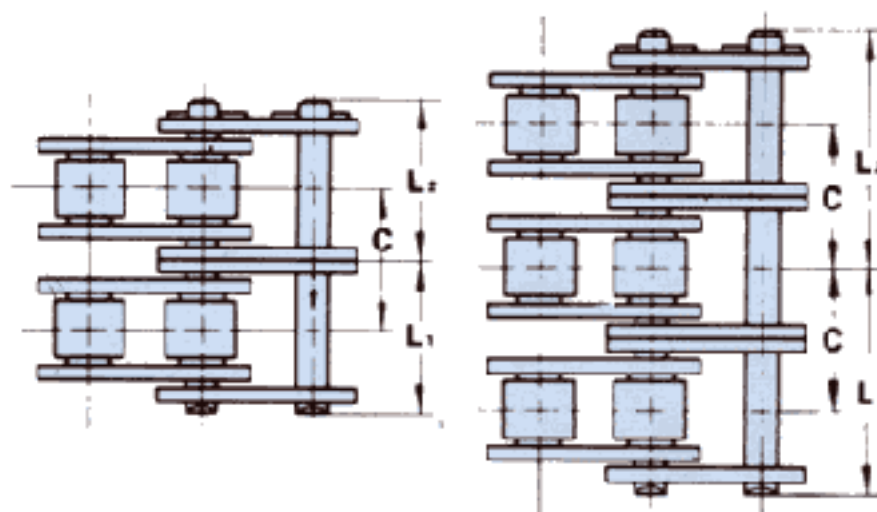
TIPO REMACHADO



Cadena doble

Cadena triple

TIPO DESMONTABLE



Cadena doble

Cadena triple