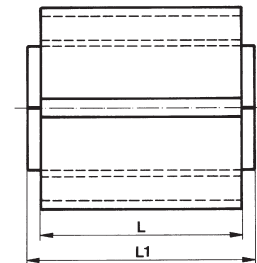
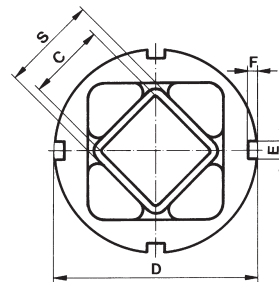
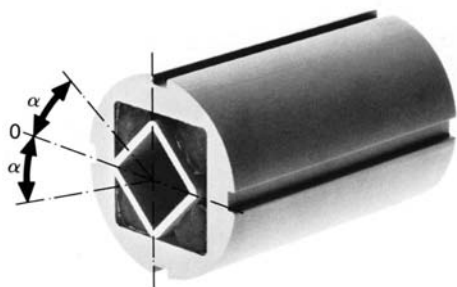




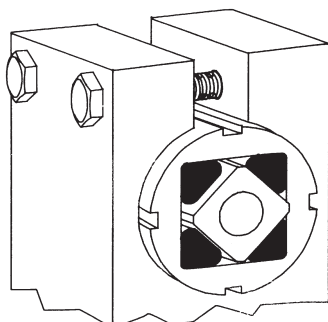
Unidades Elásticas ROSTA

tipo DK-S



| Art. n° | Tipo | L | L1-0.3 | C* | D** | E | F | S | Par M en Nm a ↗ α | | | | | | Peso en kg |
|------------|---------------|-----|--------|---------------------|--------------------|---|-----|----|-------------------|-------|-------|--------|--------|--------|------------|
| | | | | | | | | | 5° | 10° | 15° | 20° | 25° | 30° | |
| 01 081 001 | DK-S 11 x 20 | 20 | 25 | 8 ^{+0.25} | 28 ^{+0.3} | 4 | 2.5 | 11 | 0.3 | 0.8 | 1.3 | 2.0 | 2.9 | 4.0 | 0.03 |
| 01 081 002 | DK-S 11 x 30 | 30 | 35 | 8 ^{+0.25} | 28 ^{+0.3} | 4 | 2.5 | 11 | 0.4 | 1.2 | 2.0 | 3.1 | 4.3 | 6.0 | 0.05 |
| 01 081 003 | DK-S 11 x 50 | 50 | 55 | 8 ^{+0.25} | 28 ^{+0.3} | 4 | 2.5 | 11 | 0.7 | 2.0 | 3.4 | 5.1 | 7.2 | 10.0 | 0.07 |
| 01 081 004 | DK-S 15 x 25 | 25 | 30 | 11 ^{+0.25} | 36 ^{+0.3} | 5 | 2.5 | 15 | 0.7 | 1.6 | 2.6 | 4.0 | 5.7 | 8.2 | 0.06 |
| 01 081 005 | DK-S 15 x 40 | 40 | 45 | 11 ^{+0.25} | 36 ^{+0.3} | 5 | 2.5 | 15 | 1.1 | 2.5 | 4.2 | 6.4 | 9.2 | 13.2 | 0.10 |
| 01 081 006 | DK-S 15 x 60 | 60 | 65 | 11 ^{+0.25} | 36 ^{+0.3} | 5 | 2.5 | 15 | 1.6 | 3.8 | 6.3 | 9.6 | 13.8 | 19.8 | 0.14 |
| 01 081 007 | DK-S 18 x 30 | 30 | 35 | 12 ^{+0.25} | 45 ^{+0.4} | 5 | 2.5 | 18 | 1.9 | 4.5 | 7.5 | 11.0 | 15.0 | 20.6 | 0.13 |
| 01 081 008 | DK-S 18 x 50 | 50 | 55 | 12 ^{+0.25} | 45 ^{+0.4} | 5 | 2.5 | 18 | 3.2 | 7.5 | 12.5 | 18.3 | 25.0 | 34.4 | 0.20 |
| 01 081 009 | DK-S 18 x 80 | 80 | 85 | 12 ^{+0.25} | 45 ^{+0.4} | 5 | 2.5 | 18 | 5.1 | 12.0 | 20.0 | 29.3 | 40.0 | 55.0 | 0.33 |
| 01 081 010 | DK-S 27 x 40 | 40 | 45 | 22 ^{+0.25} | 62 ^{+0.5} | 6 | 3 | 27 | 4.7 | 10.7 | 17.5 | 26.9 | 39.5 | 57.0 | 0.27 |
| 01 081 011 | DK-S 27 x 60 | 60 | 65 | 22 ^{+0.25} | 62 ^{+0.5} | 6 | 3 | 27 | 7.0 | 16.0 | 26.3 | 40.3 | 59.3 | 85.5 | 0.40 |
| 01 081 012 | DK-S 27 x 100 | 100 | 105 | 22 ^{+0.25} | 62 ^{+0.5} | 6 | 3 | 27 | 11.7 | 26.7 | 43.8 | 67.2 | 98.8 | 142.5 | 0.66 |
| 01 081 013 | DK-S 38 x 60 | 60 | 70 | 30 ^{+0.25} | 80 ^{+0.6} | 7 | 3.5 | 38 | 13.0 | 30.4 | 50.6 | 78.0 | 113.0 | 162.0 | 0.72 |
| 01 081 014 | DK-S 38 x 80 | 80 | 90 | 30 ^{+0.25} | 80 ^{+0.6} | 7 | 3.5 | 38 | 17.3 | 40.5 | 67.5 | 104.0 | 151.0 | 216.0 | 0.94 |
| 01 081 015 | DK-S 38 x 120 | 120 | 130 | 30 ^{+0.25} | 80 ^{+0.6} | 7 | 3.5 | 38 | 26.0 | 60.8 | 101.2 | 156.0 | 226.0 | 324.0 | 1.37 |
| 01 081 016 | DK-S 45 x 80 | 80 | 90 | 35 ^{+0.25} | 95 ^{+0.8} | 8 | 4 | 45 | 27.6 | 62.4 | 104.0 | 160.0 | 222.0 | 320.0 | 1.35 |
| 01 081 017 | DK-S 45 x 100 | 100 | 110 | 35 ^{+0.25} | 95 ^{+0.8} | 8 | 4 | 45 | 34.5 | 78.0 | 130.0 | 200.0 | 278.0 | 400.0 | 1.65 |
| 01 081 018 | DK-S 45 x 150 | 150 | 160 | 35 ^{+0.25} | 95 ^{+0.8} | 8 | 4 | 45 | 51.8 | 117.0 | 195.0 | 300.0 | 420.0 | 600.0 | 2.44 |
| 01 081 019 | DK-S 50 x 120 | 120 | 130 | 40 ^{+0.25} | 108 ⁺¹ | 8 | 4 | 50 | 51.0 | 133.0 | 250.0 | 395.0 | 570.0 | 780.0 | 2.55 |
| 01 081 020 | DK-S 50 x 200 | 200 | 210 | 40 ^{+0.25} | 108 ⁺¹ | 8 | 4 | 50 | 102.0 | 260.0 | 475.0 | 745.0 | 1070.0 | 1450.0 | 4.21 |
| 01 081 021 | DK-S 50 x 300 | 300 | 310 | 40 ^{+0.25} | 108 ⁺¹ | 8 | 4 | 50 | 150.0 | 385.0 | 700.0 | 1100.0 | 1590.0 | 2160.0 | 6.45 |

* Ensamblaje interior ver pág. 19



** Sujeción del cuerpo exterior

El cuerpo exterior también puede posicionarse mediante una abrazadera de cierre o metida dentro de un tubo. Debemos considerar las tolerancia exteriores y el grueso adicional de pintura de protección de 40 a 80 µm.